

BERT FRANK

MASINA PENDANT LIGHT

MAINTENANCE

- Lacquered brass should be wiped with a soft duster.
- Do not clean with any liquid, chemical or abrasive cleaners.
- All electrical work must be conducted by a qualified electrician.

TECHNICAL

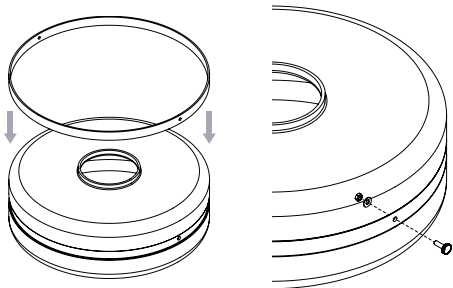
- E27/E26 LED Bulb MAX 20W (not supplied)

www.berfrank.co.uk
+44 (0)207 164 6482

INSTRUCTION

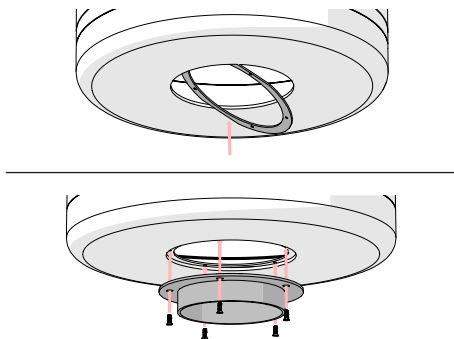
1 Prepare Glass Shade

- Position brass shade band around glass shade
- Secure in place using 2x screw, washer and nut



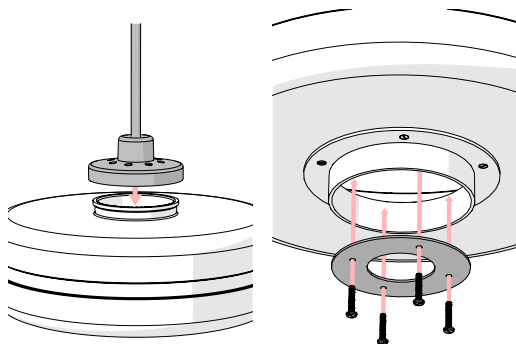
2

- Insert shade fixing ring into glass shade
- Secure shade collar to fixing ring using 5x brass screws



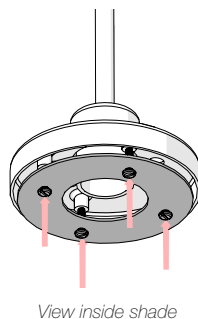
3

- Position gallery onto glass shade
- Using the mounting plate and 4x thumb screws, attach mounting plate to gallery from inside glass shade



4

- Once tightened, the mounting plate will sandwich the glass against the gallery and hold the shade in place.

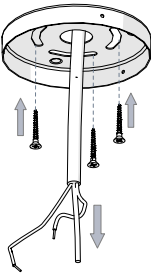


View inside shade

5

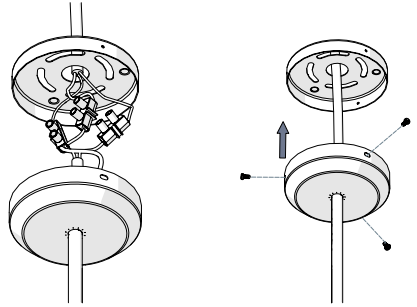
Pendant Installation

- Feed mains flex from ceiling through mounting bracket.
- Fix mounting bracket to ceiling using suitable fixings. (Fixings not supplied)



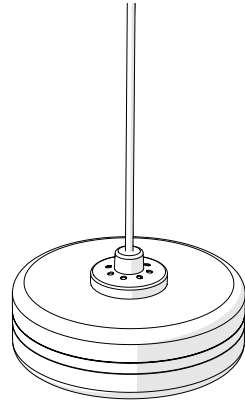
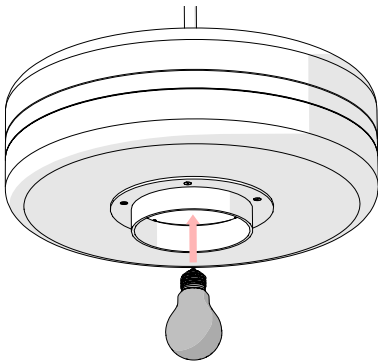
6

- Connect fixture to mains power
- All electrical work must be conducted by a qualified electrician.
- Fix ceiling canopy to mounting bracket using 3x screws



7

- Install E26/E27 light bulb, LED ONLY - MAX 20W



This product is only suitable for connection to the native power supply to which the unit was specifically manufactured. It is for indoor use only, and not suitable for a bathroom location.

This is a Class I product and must be earthed.

Under no circumstances must this lamp be covered with any material as this could pose a safety hazard.

Never fit bulbs of a higher wattage than those specified on the label, as these may cause overheating and damage the fitting. LED lamps only

Allow 10 minutes to cool before replacing, adjusting or cleaning. Clean with specified cleaners only. Do not use other liquid, chemical or abrasive cleaners on this product.

If you are in any doubt about your competence please consult a qualified electrician. If any modification is made it will invalidate the warranty and may render the product unsafe.